

# AX1800 Dual-band VDSL2 35b Residential Gateway ZXHN H1600

## Overview

ZXHN H1600 is a Gigabit/VD2 35b dual-band Wi-Fi 6 RG. With HEW Wi-Fi 6 technology, it brings you ultimate Wi-Fi experience. The RG is equipped with 4 gigabit ethernet LAN ports to provide higher bandwidth and be more forward-looking.

In addition, ZXHN H1600 has a gigabit ethernet WAN port, making it perfectly suitable for deployment in FTTH scenarios and allowing users to flexibly access the Internet.



## Highlights



### Multiple WAN Access

- 35b VDSL2 provides over 300Mbps broadband access
- Auto WAN sensing among VDSL2/ADSL and GE



### More Flexible Management

- Remote management via TR-069 protocol
- WEB GUI based remote and local management

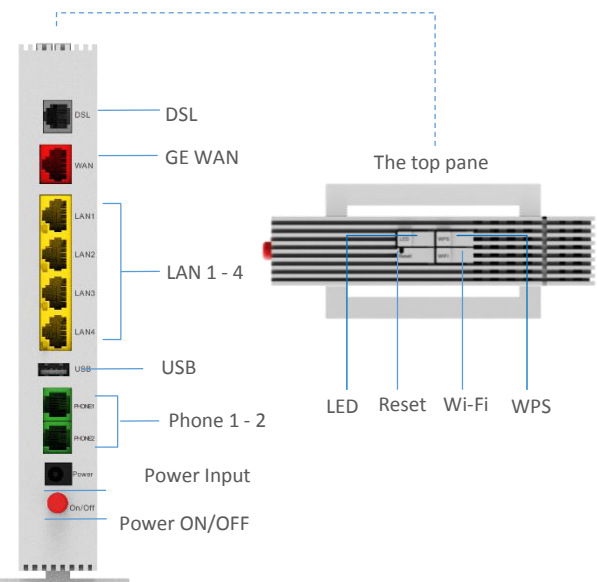
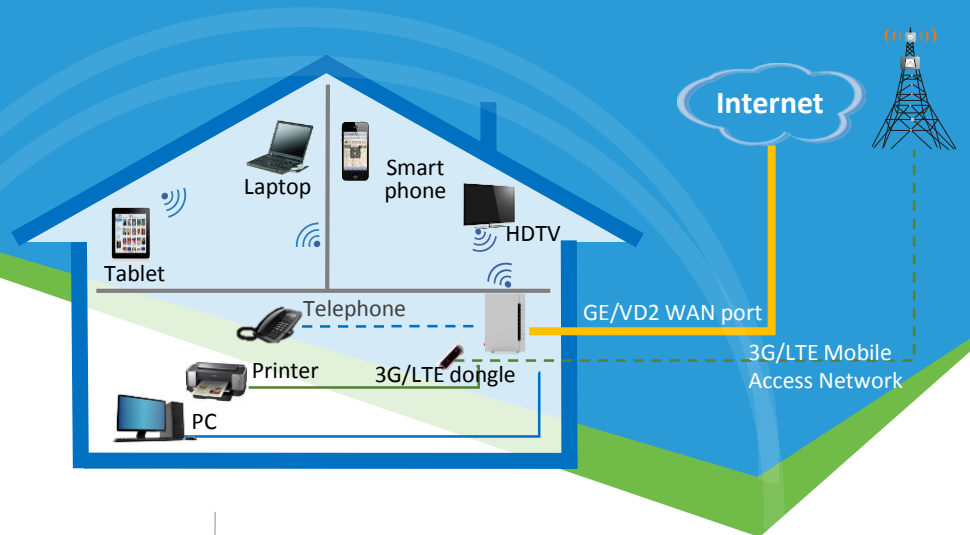


### High Efficient Wi-Fi 6

- DL/UL MU-MIMO and OFDMA enable high efficiency
- Dual band concurrent Wi-Fi 6 up to 1800Mbps

## Specifications

Interfaces	WAN	• VDSL2/ADSL2+, GE
	LAN	• 4xGE RJ-45 ports • 2x2 802.11b/g/n/ax Wi-Fi @2.4GHz • 2x2 802.11a/n/ac/ax Wi-Fi @5GHz • 2xFXS RJ-11 ports • 1xUSB 2.0 port
Buttons	• LED • Wi-Fi	• WPS • Reset • Power
LEDs	• Power, Broadband, Internet, 2.4G, 5G, WPS, USB, Phone1, Phone2	
Antenna	• Internal antennas	



# ZTE AX1800 Dual-band VDSL2 35b Residential Gateway ZXHN H1600



## Features

### Wi-Fi

- OFDMA and MU-MIMO
- Spatial reuse
- Target-wakeup time
- Manual/Auto radio channel selection
- WPA/WPA2/WPA3-PSK Security
- Four broadcast/hidden SSIDs on each band

### QoS

- Flexible packet classification
- 802.1p and DSCP remarking
- Up to eight queues
- SP/DWRR/SP+WRR
- Wi-Fi multimedia (WMM)

### Networking

- IPv4/IPv6 dual-stack
- Port mapping/DMZ
- UPnP IGD with NAT traversal capability
- Static routing/dynamic routing
- Dynamic DNS relay
- DHCP client/server
- IGMP and MLD snooping/proxy

### Management

- TR-069 remote management
- Web GUI based management
- Local built-in diagnostic function
- Logs and statistics
- Remote upgrade by HTTP

### Security

- Stateful packet inspection (SPI) firewall
- Denial of service (DoS) protection
- Multiple VPN pass-through(L2TP/PPTP/IPSec)
- MAC/IP/URL filtering
- Service based access control

### VoIP Functionality

- Dial plan and call routing management
- Voice activity detection/silence suppression
- Comfort noise generation (CNG)
- DTMF tone detection and generation
- Fax/Modem detection and pass-through

## Other Characteristics

Power Supply	<ul style="list-style-type: none"> <li>• 12.0 V DC, 2.0 A</li> </ul>
Net Weight	<ul style="list-style-type: none"> <li>• TBD</li> </ul>
Dimensions	<ul style="list-style-type: none"> <li>• 156 x 32 x 226 mm</li> </ul>
Environmental	<ul style="list-style-type: none"> <li>• Operating temperature: 0°C ~ 40° C (32° F ~ 104° F)</li> <li>• Humidity: 5% - 95% (non-condensing)</li> </ul>
Certification	<ul style="list-style-type: none"> <li>• CE certification</li> <li>• Wi-Fi 6 certification</li> </ul>